

ACX Series *Hardwired*

AC Surge Suppression Solutions

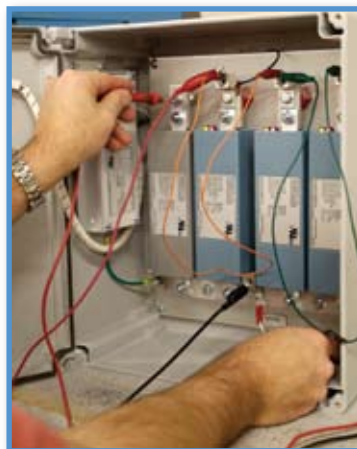
FEATURES

- UL Listed 1449 2nd Edition February 2007
- EMI/RFI Filtering
- Thermally Fused MOVs
- Common mode suppression
- Visual verification of protection status
- Surge current capacity 100 kA 8/20 μ s†

ACData's ACX100 Series provides affordable hardwired AC surge suppression solutions. Compact size and optional flush mount face plate make this the ideal solution for residential and light industrial applications.

The ACX100 Series utilizes metal oxide varistors (MOVs) to protect your sensitive electronic equipment from the devastating effects of transient voltage surges. Each phase includes an LED status indicator allowing visual verification of protection status. LED "on" indicates suppressor is functional. LED "off" indicates suppressor or AC power failure. Form C contacts and EMI/RFI filtering are included.

ACX100 Series is the ideal solution for residential and light industrial applications.



All ACData surge suppression products are subjected to rigorous testing standards at Ryan Labs™.

ACX Series *Hardwired*

SUPPRESSION

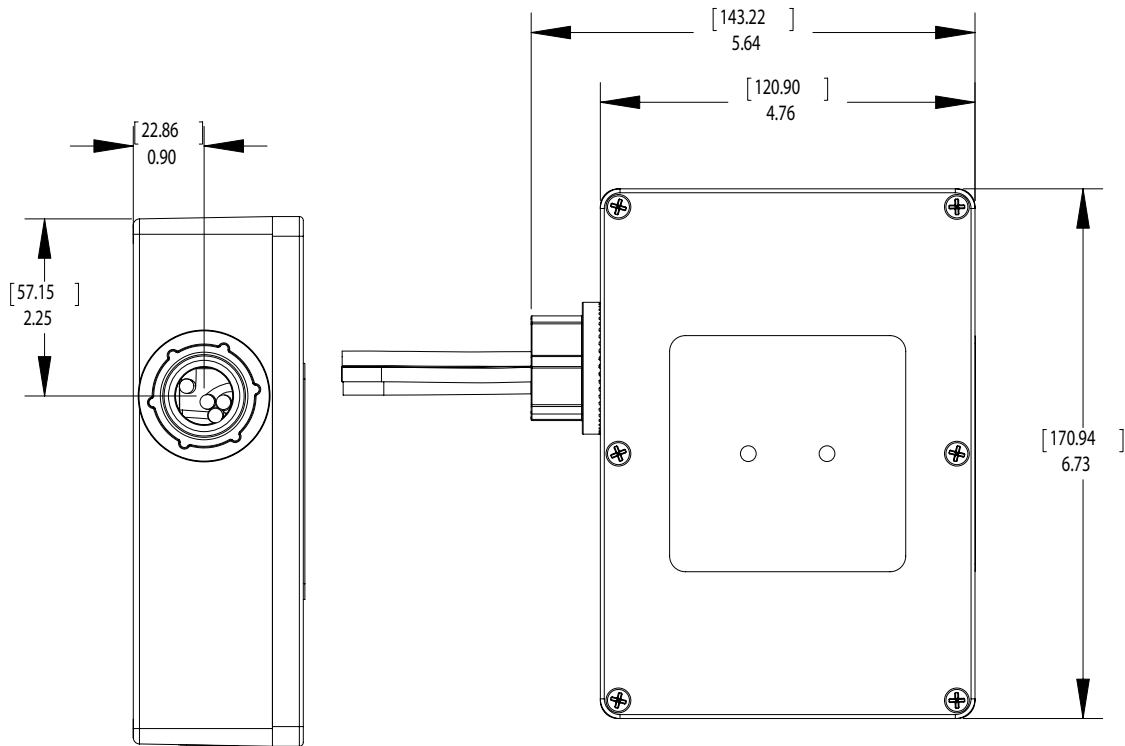
Model	AC4100-F-07*	AC2100-F-07*
Operating Voltage	3 ϕ 208Y/120 4W+G	1 ϕ 120/240 3W+G
Surge Current Capacity†	100 kA 8/20 μ s	100 kA 8/20 μ s
Clamping/Let-through Voltage	<400 V pk @ 500 Amps 8/20 μ s L-N <400 V pk @ 500 Amps 8/20 μ s N-G	<400 V pk @ 500 Amps 8/20 μ s L-N <400 V pk @ 500 Amps 8/20 μ s N-G
EMI/RFI Filtering	40 dB	40 dB

MECHANICAL

Weight	3.0 lbs (1.5 kg)	3.0 lbs (1.5 kg)
Suppression Connection	Hardwire (w/ five 10 AWG wires)	Hardwire (w/ four 10 AWG wires)
Form C Connection	Hardwire (w/ 22 AWG wires)	Hardwire (w/ 22 AWG wires)
Operating Temp.	-20° C to +80° C	-20° C to +80° C
Enclosure	Aluminum - Type NEMA 4	Aluminum - Type NEMA 4

*Suppressor is also available without Form C contacts. To order without an alarm, add the suffix -NA to the model number.

†Surge Current Capacity values are based on actual test results at Ryan Labs.



ACData

SOLUTIONS

806 W. Clearwater Loop
 Suite C, Post Falls, Idaho 83854
 P 208.777.1166 T 800.890.2569
 F 208.777.4466 www.acdata.com



REV. 072307

From order entry to shipment processing, ACData is committed to customer service and quality.



ACData is dedicated to exceeding our customers' expectations by providing quality products, personal service, and responsiveness through communication, responsibility, teamwork and innovation. We are committed to complete customer service through a comprehensive warranty plan, 24 hour customer care, and complete engineering support.